

JUMO/JUCHEIM

LOGOPRINT 100

PRODUCT GROUP: PRRD37 (ROLLS)

OEM PART #	ORDER REF	TYPE	UNIT LENGTH	CHART WIDTH	QTY/ PKG.	RANGE / DESCRIPTION
62639	0073226	ROLL	1 x 17m	120mm	1 ROLL	THERMAL - REACTIVE PLAIN

LOGOPRINT C240

PRODUCT GROUP: JUM113 (ROLLS)

OEM PART #	ORDER REF	TYPE	UNIT LENGTH	CHART WIDTH	QTY/ PKG.	RANGE / DESCRIPTION
69091	2019350	ROLL	1 x 16m	120mm	1 ROLL	NO SCALE VERTICAL 50 DIVISIONS

LOGOPRINT C200

PRODUCT GROUP: RJU/0121 (ROLLS)

OEM PART #	ORDER REF	TYPE	UNIT LENGTH	CHART WIDTH	QTY/ PKG.	RANGE / DESCRIPTION
67040	0079910	ROLL	1 x 15m	120mm	1 ROLL	PLAIN

PRINTWHEEL FOR MODEL C240

PRODUCT GROUP: 5016 06 64

OEM PART #	ORDER REF	COLOUR	QTY/ PKG.
SN67037	0074911	6 COLOUR BROWN VIOLET RED BLACK GREEN BLUE	1

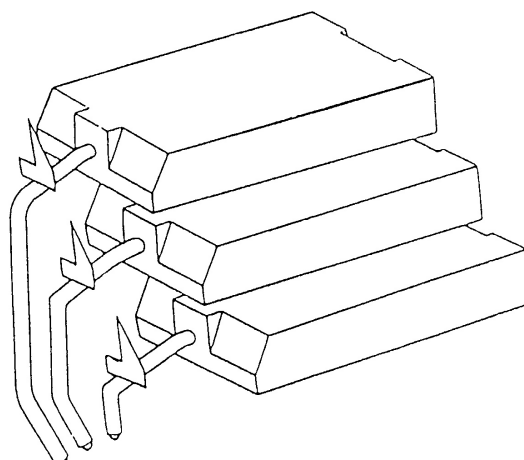
FOR OTHER RECORDER MODELS OR NON-STANDARD CHARTS PLEASE ENQUIRE

JUMO/JUCHEIM

MODELS LSK1K, LS2K & LS3K-44 FIBRE TIPPED PES

PRODUCT GROUP: MT45

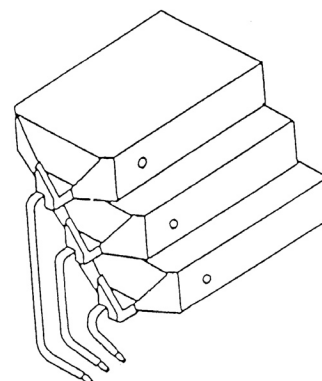
OEM PART #	ORDER REF	COLOUR	QTY/ PKG.
927200001-4 SN48075 700048075	0050597	BLUE	1
927200002-4 SN48075 700048075	0052902	RED	1
927200002-4 SN48075 700048075	0052901	GREEN	1



MODELS LSK1K, LS2K & LS3K-44 FIBRE TIPPED PES

PRODUCT GROUP: MT47

OEM PART #	ORDER REF	COLOUR	QTY/ PKG.
700046722 SN46722	0070883	BLUE	1
700046723 SN46723	0069828	RED	1
700046724 SN46724	0069829	GREEN	1



MODEL PS6V88/.. STRIP CHARTS

PRODUCT GROUP: (ROLLS)

OEM PART #	ORDER REF	TYPE	UNIT LENGTH	CHART WIDTH	QTY/ PKG.	RANGE / DESCRIPTION
33512	0062368	ROLL	16m	140mm	1 ROLL	0-100%, 1-24 HR TIMING

MANY OTHER CHARTS AVAILABLE FOR THIS RECORDER, PLEASE ENQUIRE

MODEL PSD6-44/4 STRIP CHARTS

PRODUCT GROUP: (ROLLS)

OEM PART #	ORDER REF	TYPE	UNIT LENGTH	CHART WIDTH	QTY/ PKG.	RANGE / DESCRIPTION
33510	0071570	ROLL	16m	110mm	1 ROLL	0-100%, (nl)1-24hr TIMING

MANY OTHER CHARTS AVAILABLE FOR THIS RECORDER, PLEASE ENQUIRE

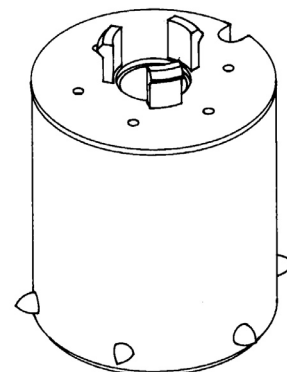
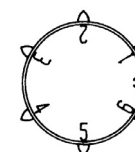
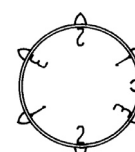
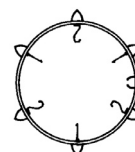
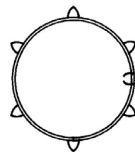
FOR OTHER RECORDER MODELS OR NON-STANDARD CHARTS PLEASE ENQUIRE

JUMO/JUCHEIM

PRINTWHEEL FOR MODELS PD..V-44 & PD..V-96

PRODUCT GROUP: 6PW05, 6PW06, 6PW07, 6PW08

OEM PART #	ORDER REF	COLOUR	QTY/ PKG.
700040564	0078094	1 COLOUR VIOLET	1
700040561	0078095	2 COLOUR VIOLET, RED, VIOLET, RED, VIOLET, RED	1
700040562	0078096	3 COLOUR VIOLET, RED, BLACK, VIOLET, RED BLACK	1
700040563	0064546	6 COLOUR VIOLET, RED, BLACK, GREEN, BLUE, BROWN	1



MODEL PS6V-44 & Is1/2/3k-44 STRIP CHARTS

PRODUCT GROUP: (ROLLS)

OEM PART #	ORDER REF	TYPE	UNIT LENGTH	CHART WIDTH	QTY/ PKG.	RANGE / DESCRIPTION
35070	0056381	ROLL	1 x 16m	120mm	1 ROLL	0-100%, (nl)1-24 HR TIMING
49603	2007161	ROLL	1 x 16m	120mm	1 PACK	0-100%, (nl)1-24 HR TIMING, 50 DIVS LIN
34939	2019511	ROLL	1 x 14.1m	120mm	2 PACKs	0-100%, (nl)1-24 HR TIMING, 50 DIVS

MANY OTHER CHARTS AVAILABLE FOR THIS RECORDER, PLEASE ENQUIRE

FOR OTHER RECORDER MODELS OR NON-STANDARD CHARTS PLEASE ENQUIRE