



**CROWN GRAPHIC**

**MARKING SYSTEMS CATALOGUE  
UNIVERSAL PEN SECTION**

JANUARY 2008

DESCRIPTION	BODY LG	X-DIM	Pk	
<p><b>1UD10</b></p> <p>THIS RANGE OF PENS IS FOR USE IN PLACE OF THE UNIVERSAL STANDARD 1UD15 PEN RANGE WHEN THE CUSTOMER REQUIRES A WIDER LINE WIDTH.</p> <p>1UD101 30mm 1UD102 30mm 1UD103 30mm 1UD104 30mm</p> <p>3.5mm 9.4mm 15.2mm 21.1mm</p> <p>6 6 6 6</p> <p>THE FOLLOWING COLOURS ARE AVAILABLE IN ALL CHANNELS, BLUE, GREEN, BLACK, RED AND VIOLET.</p>				
<p><b>1UD11</b></p> <p>THIS IS A UNIVERSAL ANGLED NIB BOSS VERSION OF OUR 1UD24 PEN SERIES.</p> <p>1UD111 25mm 1UD112 25mm 1UD113 25mm 1UD114 25mm</p> <p>3.7mm 10.2mm 16.5mm 22.9mm</p> <p>6 6 6 6</p> <p>THE FOLLOWING COLOURS ARE AVAILABLE IN ALL CHANNELS, BLUE, GREEN, BLACK, RED AND VIOLET.</p> <p>THESE PENS EQUATE TO :- G.C. SERIES 32 D/N SERIES F51720/1/2/3.</p>				



**CROWN GRAPHIC**

# MARKING SYSTEMS CATALOGUE UNIVERSAL PEN SECTION

JANUARY 2008

DESCRIPTION	BODY LG	X-DIM	Pk	
<p><b>1UD14</b></p> <p>1UD141 20mm 3.5mm 6            1UD142 20mm 9.4mm 6            1UD143 20mm 15.2mm 6            1UD144 20mm 21.1mm 6</p> <p>THE FOLLOWING COLOURS ARE AVAILABLE IN ALL CHANNELS, BLUE, GREEN, BLACK, RED AND VIOLET.</p> <p>THESE PENS EQUATE TO :-            G.C. SERIES 60            D/N SERIES F51716/7/8/9.</p>				
<p><b>1UD15</b></p> <p>IF WHEN USING THESE 1UD15 UNIVERSAL SERIES PENS A WIDER LINE WIDTH IS REQUIRED THEN REFER TO OUR 1UD10 UNIVERSAL SERIES PEN SECTION.</p> <p>1UD151 30mm 3.5mm 6            1UD152 30mm 9.4mm 6            1UD153 30mm 15.2mm 6            1UD154 30mm 21.1mm 6</p> <p>THE FOLLOWING COLOURS ARE AVAILABLE IN ALL CHANNELS, BLUE, GREEN, BLACK, RED AND VIOLET.</p>				



**CROWN GRAPHIC**

# MARKING SYSTEMS CATALOGUE UNIVERSAL PEN SECTION

JANUARY 2008

DESCRIPTION	BODY LG	X-DIM	Pk																	
<p><b>1UD18</b></p> <p>THE FOLLOWING RANGE OF PENS ARE FOR USE IN PLACE OF OUR UNIVERSAL STANDARD 1UD24 PEN RANGE WHEN CUSTOMERS REQUIRE A WIDER LINE WIDTH.</p> <table border="0"> <tr> <td>1UD181</td> <td>45mm</td> <td>3.5mm</td> <td>6</td> </tr> <tr> <td>1UD182</td> <td>45mm</td> <td>9.4mm</td> <td>6</td> </tr> <tr> <td>1UD183</td> <td>45mm</td> <td>15.2mm</td> <td>6</td> </tr> <tr> <td>1UD184</td> <td>45mm</td> <td>21.1mm</td> <td>6</td> </tr> </table> <p>THE FOLLOWING COLOURS ARE AVAILABLE IN ALL CHANNELS BLUE, GREEN, BLACK, RED AND VIOLET.</p>	1UD181	45mm	3.5mm	6	1UD182	45mm	9.4mm	6	1UD183	45mm	15.2mm	6	1UD184	45mm	21.1mm	6				
1UD181	45mm	3.5mm	6																	
1UD182	45mm	9.4mm	6																	
1UD183	45mm	15.2mm	6																	
1UD184	45mm	21.1mm	6																	
<p><b>1UD19</b></p> <p>THESE 1UD19 SERIES PENS ARE ONLY AVAILABLE AS A NO CLIP OPTION FOR THOSE CUSTOMERS WHO MAY HAVE SUCH REQUIREMENTS. IF YOU REQUIRE CLIPS PLEASE USE OUR 1UD24 PEN SERIES.</p> <table border="0"> <tr> <td>1UD191</td> <td>45mm</td> <td>3.5mm</td> <td>6</td> </tr> <tr> <td>1UD192</td> <td>45mm</td> <td>9.4mm</td> <td>6</td> </tr> <tr> <td>1UD193</td> <td>45mm</td> <td>15.2mm</td> <td>6</td> </tr> <tr> <td>1UD194</td> <td>45mm</td> <td>21.1mm</td> <td>6</td> </tr> </table> <p>THE FOLLOWING COLOURS ARE AVAILABLE IN ALL CHANNELS, BLUE, GREEN, RED AND BLACK.</p>	1UD191	45mm	3.5mm	6	1UD192	45mm	9.4mm	6	1UD193	45mm	15.2mm	6	1UD194	45mm	21.1mm	6				
1UD191	45mm	3.5mm	6																	
1UD192	45mm	9.4mm	6																	
1UD193	45mm	15.2mm	6																	
1UD194	45mm	21.1mm	6																	



**CROWN GRAPHIC**

**MARKING SYSTEMS CATALOGUE  
UNIVERSAL PEN SECTION**

JANUARY 2008

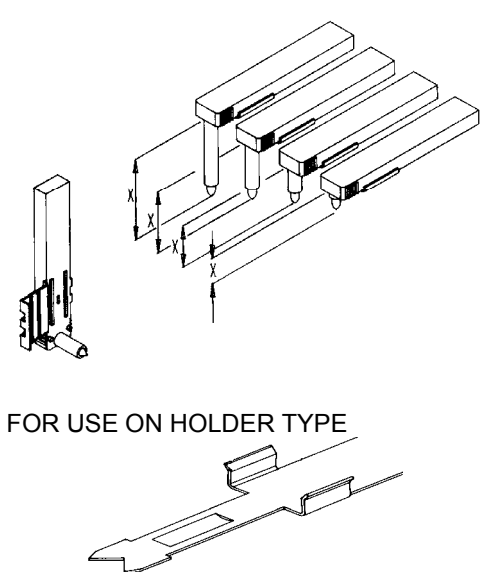
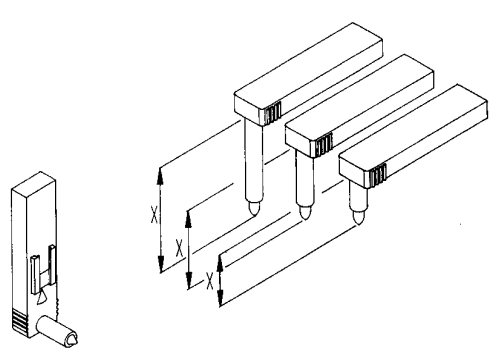
DESCRIPTION	BODY LG	X-DIM	Pk	
<p><b>1UD20</b></p> <p>1UD201 45mm 3.3mm 6            1UD202 45mm 9.2mm 6            1UD203 45mm 15.0mm 6            1UD204 45mm 20.75mm 6</p> <p>THE FOLLOWING COLOURS ARE AVAILABLE IN ALL CHANNELS BLUE, GREEN, BLACK, RED AND VIOLET.</p> <p>THESE PENS EQUATE TO :-            G.C. SERIES 57            D/N SERIES F51270/1/2            F51300.</p>				<p>FOR USE ON CLIP TYPE</p>
<p><b>1UD23</b></p> <p>1UD231 45mm 3.5mm 2            1UD232 45mm 9.4mm 2            1UD233 45mm 15.2mm 2            1UD234 45mm 21.1mm 2</p> <p>THE FOLLOWING COLOURS ARE AVAILABLE IN ALL CHANNELS, BLUE, GREEN, BLACK, RED AND VIOLET.</p> <p>THESE PENS EQUATE TO:-            G.C. SERIES 88            D/N SERIES F51356/7/8/9            F51672/3/4/5.</p>				<p>FOR USE ON CLIP TYPE</p>



**CROWN GRAPHIC**

# MARKING SYSTEMS CATALOGUE UNIVERSAL PEN SECTION

JANUARY 2008

DESCRIPTION	BODY LG	X-DIM	Pk	
<p><b>1UD24</b></p> <p>IF WHEN USING THESE 1UD24 UNIVERSAL SERIES PENS A WIDER LINE WIDTH IS REQUIRED THEN REFER TO OUR 1UD18 UNIVERSAL SERIES PEN SECTION.</p> <p>1UD241 45mm 3.5mm 6  1UD242 45mm 9.4mm 6  1UD243 45mm 15.2mm 6  1UD244 45mm 21.1mm 6</p> <p>THE FOLLOWING COLOURS ARE AVAILABLE IN ALL CHANNELS, BLUE, GREEN, BLACK, RED AND VIOLET.</p> <p>THESE PENS EQUATE TO :-  G.C. SERIES 39  D/N SERIES F51712/3/4/5.</p>				 <p>FOR USE ON HOLDER TYPE</p>
<p><b>1UD30</b></p> <p>1UD301 32mm 7.7mm 6  1UD302 32mm 14.8mm 6  1UD303 32mm 21.9mm 6</p> <p>THE FOLLOWING COLOURS ARE AVAILABLE IN ALL CHANNELS, BLUE, GREEN, BLACK AND RED.</p> <p>THESE PENS EQUATE TO :-  SANFORD RP1-74102,  RP2-74203,  RP3-74301.</p>				

GRAPHIC CONTROLS LTD, ST PETERS QUAY, TOTNES, DEVON, TQ9 5XH, UK  
TEL : +44 (0)1803 860100 FAX : +44 (0)1803 863838 EMAIL : sales@crowng.com WEB : http://www.crowng.com